

# INTRINSICALLY SAFE FLASH

## AE/IS-SFL

### Description

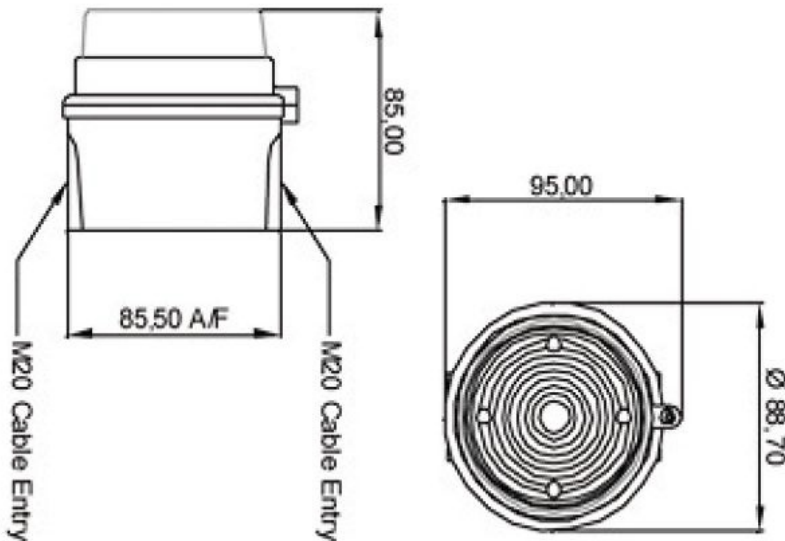
ATEX certified flash made of ABS with UL94V0 and 5VA classification. The base has a tube inlet. It is ideal for use in hazardous areas both

for fire applications as well as for industrial applications.

- Flash with an elegant design and great robustness.
- Electronics-free base compatible with the entire range of sirens and flashes.
- Bases with stainless steel terminals.
- Quick and easy installation.



### Dimensions



#### TECHNICAL CHARACTERISTICS

Power (Voltage):	6 - 28V DC
Consumption (siren):	25mA
Consumption (flash):	25mA
Consumption (siren and flash):	48mA
Acoustic power (depends on tone):	100dB at 1 meter
Degree of protection:	IP65
Number of Tones:	49
Flash frequency:	2Hz or 1Hz with dual flash
Operating temperature:	-40°C / + 60 ° C
Maximum humidity:	Max. 95% - No condensation
color:	Red
Construction:	ABS with UL94V0 and 5VA rating
Die cuts:	2
Weight with stand:	350g

#### CERTIFICATIONS

Certification number:	05ATEX2084X
Approvals:	ATEX